



SMI & HYDRAULICS

Tower Dryer Jack

Model # DJ110-30000



— PLEASE READ BEFORE OPERATING —

401 Lone Tree Street • Porter, MN 56280 • PH 507-296-4551 • www.smihyd.com

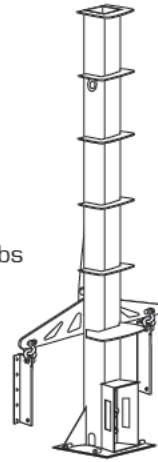
DJ110 REV-1

DRYER JACK OPERATION

The SMI unified bin/dryer jacking system consists of:

- Bin/Dryer Jacks
- Hose Manifolds
- Unified Control Skid
- Engine skid with Reservoir

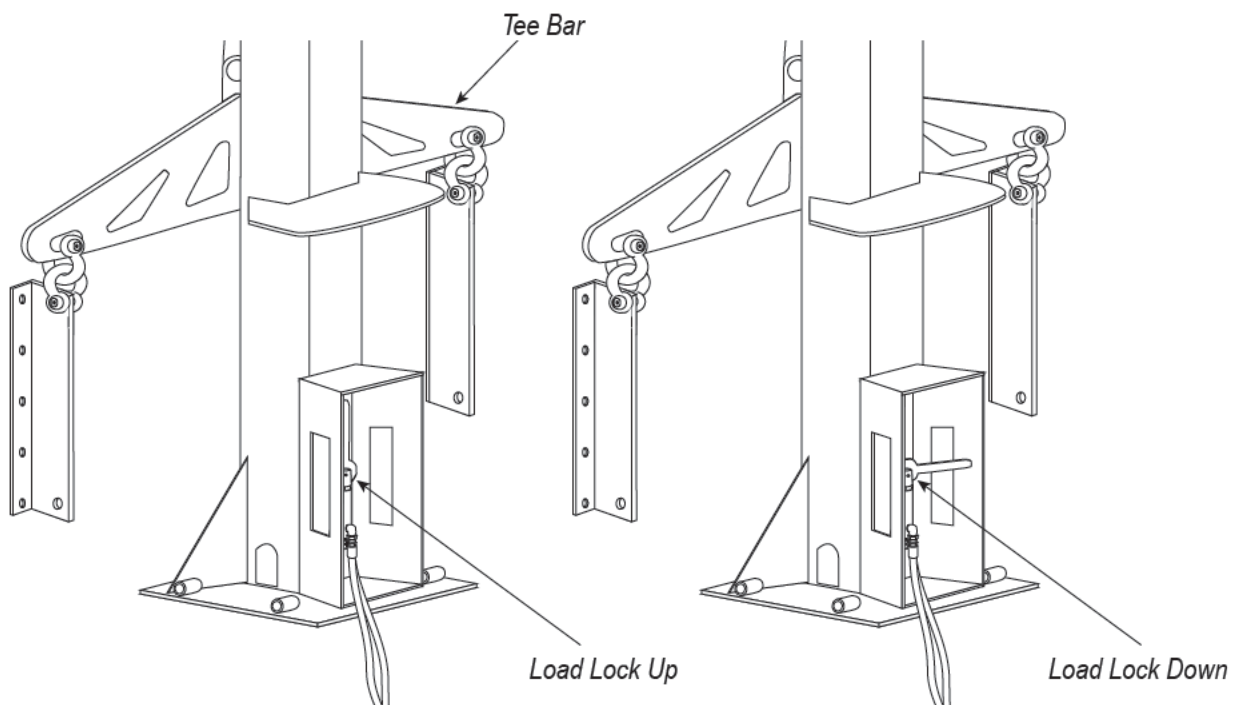
Weight: 1,500 lbs

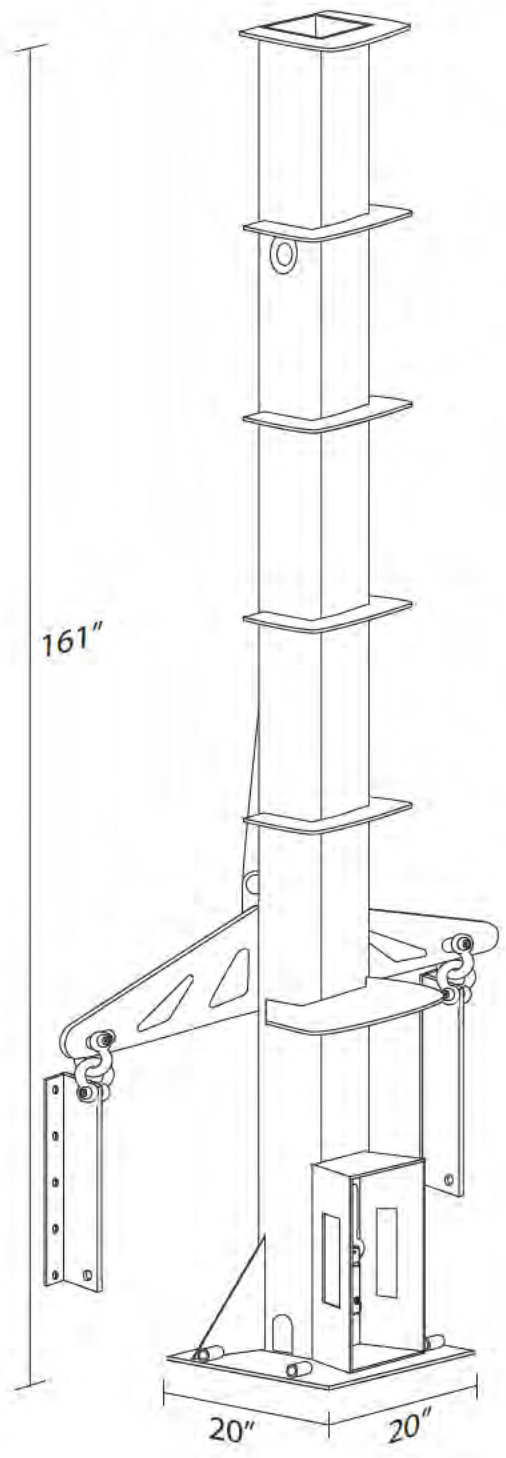


DRYER JACK-SETUP

The dryer jacks should be centered between two vertical channels/legs of the dryer. The lift brackets should be bolted to the vertical channels to verify that the holes in the brackets line up vertically with the slots in the tee bars. When the jack is in position, it should be anchored to the concrete. Two shackles per lift bracket are required to connect to the tee bar, install the shackle bolts through the tee bar slot and the lift bracket hole. Be sure to use load rated shackles.

Each jack has a load lock valve mounted to the bottom of the hydraulic cylinder, it has a red handle. The load lock valve will keep the jack from coming down if a hydraulic hose were to be cut. The red handle should be in the up position while jacking and any time there is a load on the jack. Move the red lever 90° to either side to allow the jack to come down to reconnect to the dryer.





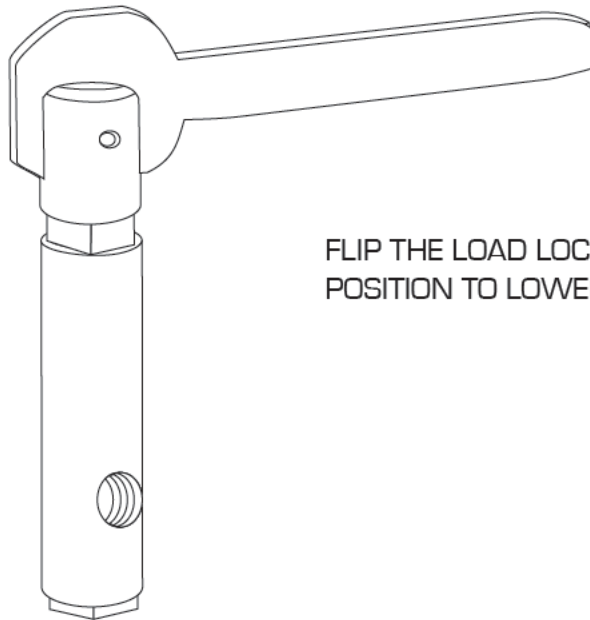
161"

20"

20"



THE LOAD LOCK NEEDS TO BE IN THE "UP" POSITION TO LIFT AND HOLD THE BIN. THE JACK WILL NOT LOWER WITH THE LOAD LOCK UP.



FLIP THE LOAD LOCK TO THE "DOWN" POSITION TO LOWER THE JACKS.

LOAD LOCK VALVE

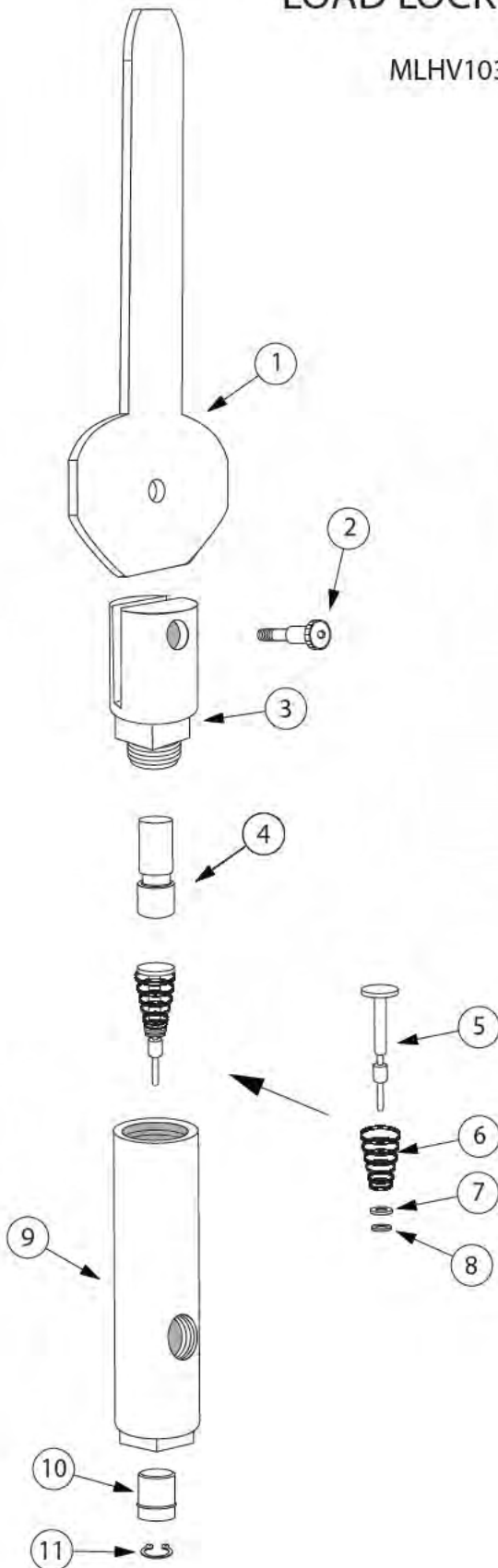
MLHV1034

Load Lock Valve
Required Maintenance

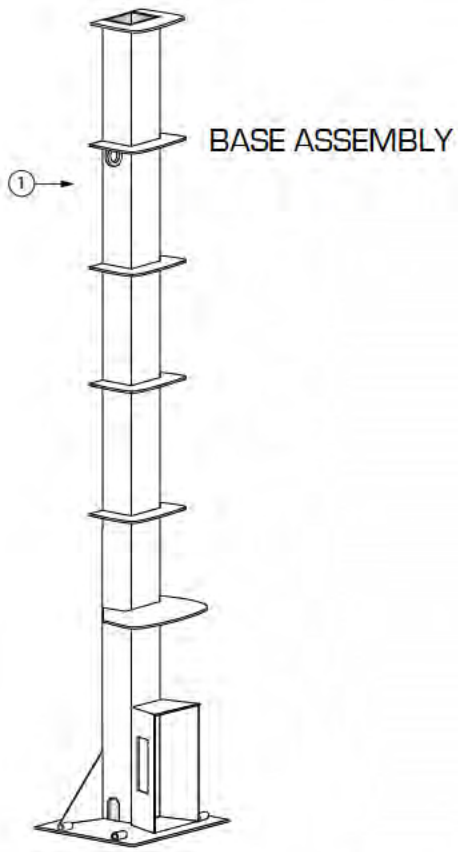
The load lock valve mounted on the bottom port of the bin jack may require minimal maintenance periodically. Depending on the environmental conditions, the valve stem (Item No. 4) may become sticky, preventing it from functioning properly.

The load lock valves should be inspected daily for proper operation. With no load on the jacks, move the red lever (Item No. 1) up and down, watching to see that the valve stem (Item No. 4) follows the lever at all times. If the valve stem does not come up when the red lever is in the up position, the valve will not have load holding capabilities. The jack should not be used in this situation.

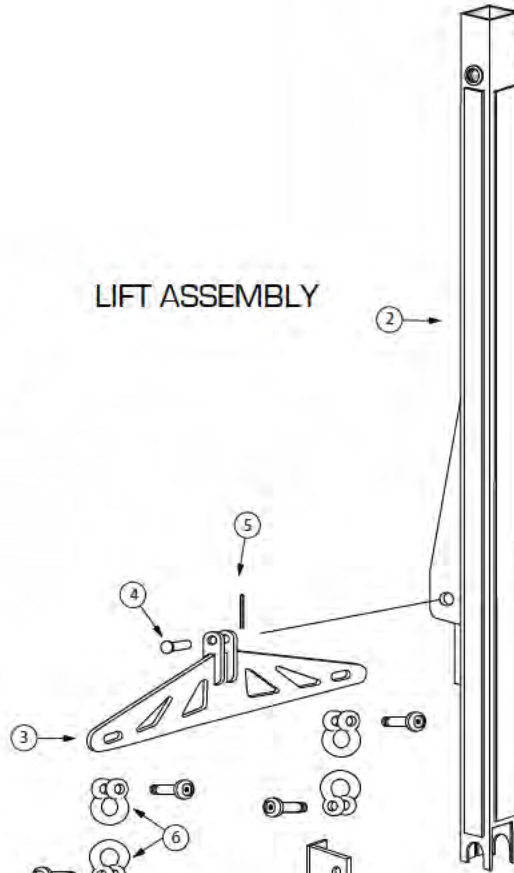
The valve stem (Item No. 4) can be removed from the load lock valve without removing the load lock valve from the jack. Be certain that there is no hydraulic pressure present at the load lock valve, and remove the shoulder bolt (Item No. 2) which allows the red lever (Item No. 1) to be removed. Unscrew the lever housing (Item No. 3) from the valve body (Item No. 9), remove the valve stem (Item No. 4) from the lever housing (Item No. 3) with a small punch and hammer from the top side of the lever housing. Clean the valve stem with emery cloth and coat it with anti-seize lubricant or grease, clean the inside of the lever housing as well. Check the inside of the valve body (Item No. 9) for debris and remove if necessary. The load lock valve can then be reassembled, and checked for proper operation. Replace Items 7 & 8 if the load lock is leaking oil from the top of the valve. Item 5 can be removed from the body with the magnet.



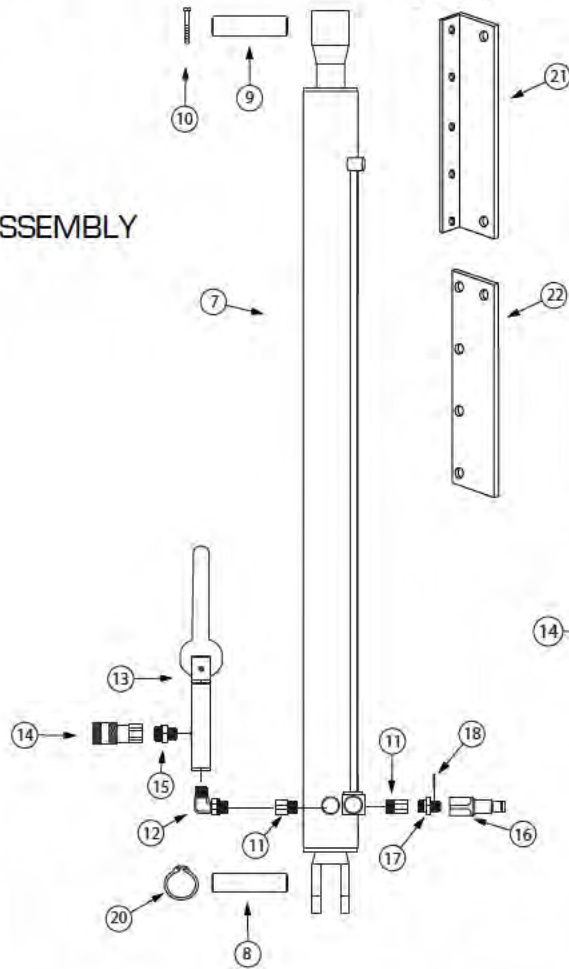
ITEM NO	DESCRIPTION	QTY.
1	LEVER HANDLE	1
2	1/4x1/2 SHOULDER BOLT	1
3	LEVER HOUSING	1
4	PUSH ROD	1
5	BALL PLUNGER	1
6	CONICAL SPRING	1
7	SPLIT BACKUP RING-006	1
8	RUBBER O RING-006	1
9	VALVE BODY	1
10	CHECK VALVE	1
11	INTERNAL SNAP RING	1



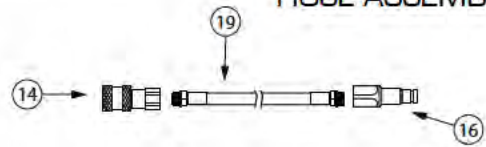
LIFT ASSEMBLY



CYLINDER ASSEMBLY



HOSE ASSEMBLY



ITEM NO	PART NUMBER	DESCRIPTION	QTY.
1	MG1119-1	BASE	1
2	DS10939	MAIN LIFT	1
3	DS10933	HANGER BRACKET	1
4	MG11780	BRACKET PIN	1
5	98416A120	SAFETY PIN	1
6	1018543	BRACKET CLEVIS	4
7	9999 7	CYLINDER	1
8	MG11782	BASE CYLINDER PIN	1
9	MG11781	CYLINDER PIN	1
10	3/8"- 16x 3/4 HHCS	BOLT	1
11	6410-08-08	FITTING-CYLINDER	2
12	6806-08-06	FITTING-90°	1
13	MLHV1034	LOAD LOCK VALVE	1
14	800804002	COUPLER-FEMALE	3
15	6401-08-06	LOAD LOCK FITTING	1
16	800804003	COUPLER-MALE	3
17	6400-08-08	FITTING	1
18	568-908	FITTING -O-RING	1
19	AX06x600"-8RA	HYDRAULIC HOSE	2
20	TRUARC 5160-150	SNAP RING	2
21	MG1238	LIFT BRACKET	2
22	MG1184	LEG LIFT BRACKET	2